

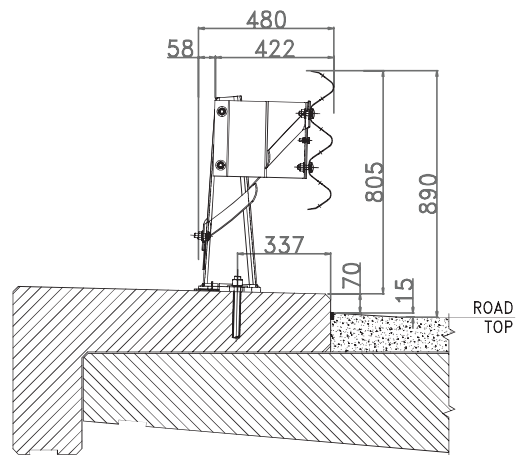
➤ H2 bridge barrier

H2BP300-aus.

components

- Thrie beam 4000 mm th. 2,5 mm;
- "C" tapered post with base plate with a c/c distance of 1333 mm;
- Spacer th. 4,0 mm;
- Diagonal;
- Unthreading proof little plate;
- Bolts and nuts;
- Anchorbolts MA 24;
- Reflectors (1 every 12,0 m).

section



- **Dwg. n.: H2BP300-aus.**
c/c distance between the posts: **1.333 mm**

performance

TB11 - Car 900 kg

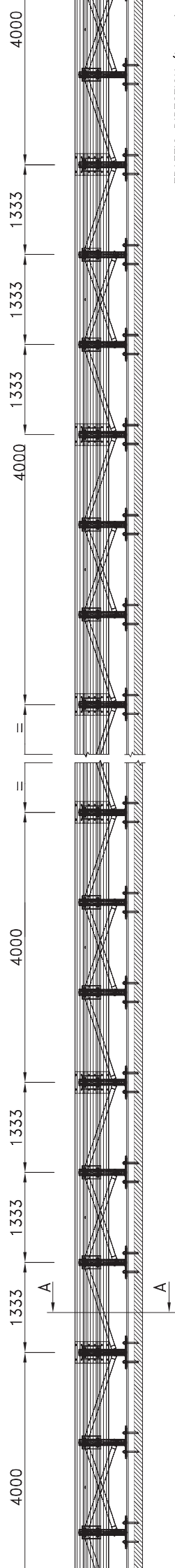
Test: X61.03.I01
ASl: B - 1,10

TB51 - Bus kg 13.000

Test: X61.01.I01
W_N: m 0,8 (W2)
D_N: m 0,7
V_N: m 1,20 (VI4)

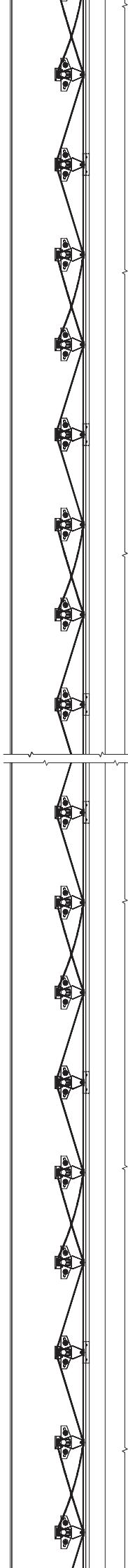
FRONT VIEW

DISTANCE LENGTH mm 72.000 - N° 54 c/c Posts mm 1333 (n° 18 Beams mm 4000)



TRAFFIC DIRECTION (Impact o

FRONT VIEW



SECTION A-A

