

>> H4 (L4b) hard shoulder

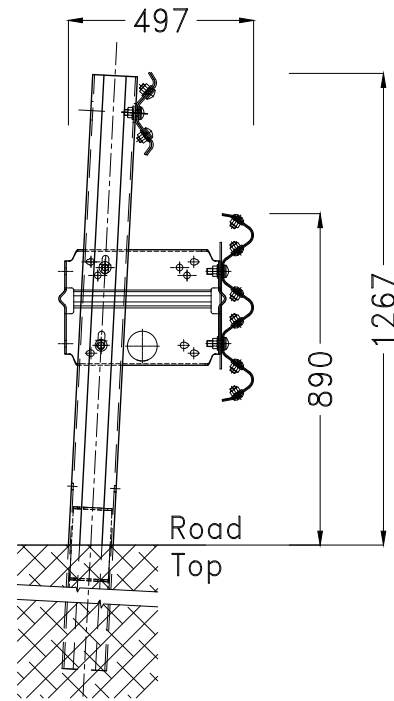
H4bBL400

components

- Upper W beam 5333 mm th. 5,0 mm;
- Lower 3W beam 5333 mm th. 2,5 mm;
- "C" Section Post 30x80x120 mm th. 5,0 mm
H=2150 mm c/c 1333,3 mm;
- Spacer for lower 3W beam;
- Stiffener for "C" Post;
- Intermediate proof little plate;
- Oblique diagonal 70x5 mm;
- Bolt and Nuts;
- Reflector (n° 1 every 16,00 m).

This Barrier provides, for each section of barrier, the installation of Approach/Escape section modules for a total length of 21,33 m (10,66 for Approach + 10,66 for Escape).

section



- Dwg. n.: H4bBL400
c/c distance between posts: 1.333 mm

performance

TB11 – Car 900 kg

Test: 1673

ASl: A

TB32 – Car 1.500 kg

Test: 1674

ASl: A

TB81 - Truck 38.000 kg

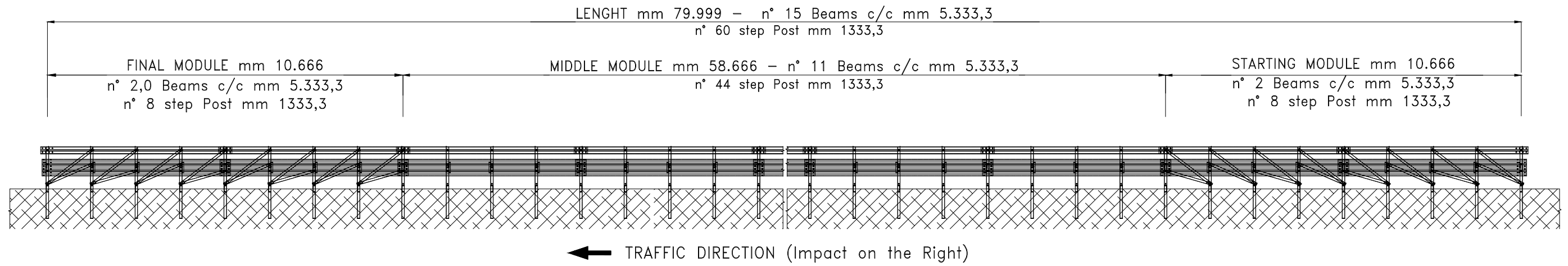
Test: 1671

W_N: m 1,3 (W4)

D_N: m 0,9

V_I_N: m 1,6 (VI5)

FRONTAL VIEW



TOP VIEW



