

# » H4 (L4b) bridge barrier

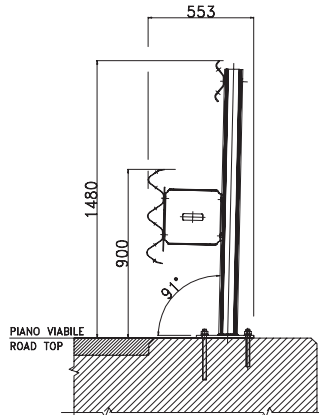
## H4BP600

### components

- Upper W Beam 4500 mm th. 5,0 mm;
- Lower 3W Beam 4500 mm th. mm 2,5;
- Post "HEA100" H = 1418 mm with base plate, c/c mm 1500,00;
- Spacer for lower 3W Beam;
- Intermediate proof little plate;
- Unthreading proof little plate;
- Bolts and Nuts;
- Anchorbolt M 20
- Reflector (n° 1 every 10,66 m).

This Barrier provides, for each section of barrier, the installation of Approach /Escape section modules for a total length of 27,00 m (13,50 for Approach+ 13,50 for Escape)

### section



● Dwg. n.: H4BP600

c/c distance between the posts: 1.500 mm

### performance

TB11 - Car 900 kg

Test: 994  
ASI: B - 1,30

TB32 - Car 1.500 kg

Test: 995  
ASI: B - 1,10

TB81 - Truck 38.000 kg

Test: 993  
W<sub>N</sub>: m 1,3 (W4)  
D<sub>N</sub>: m 1,2  
V<sub>N</sub>: m 1,5 (VI5)

FRONT VIEW

